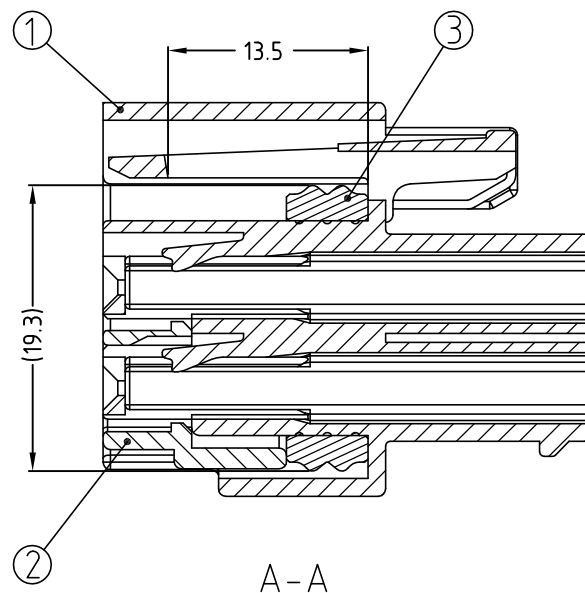
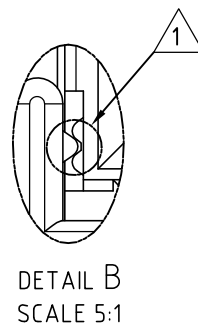
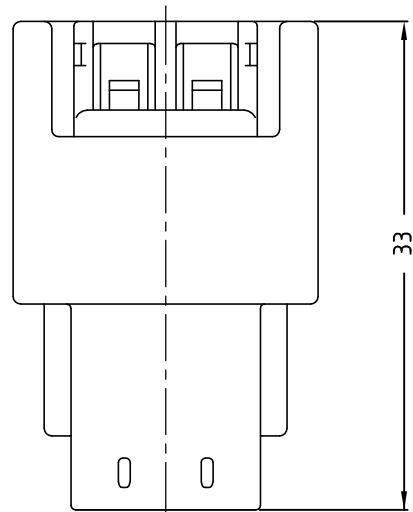
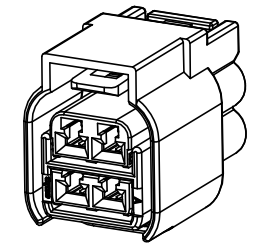
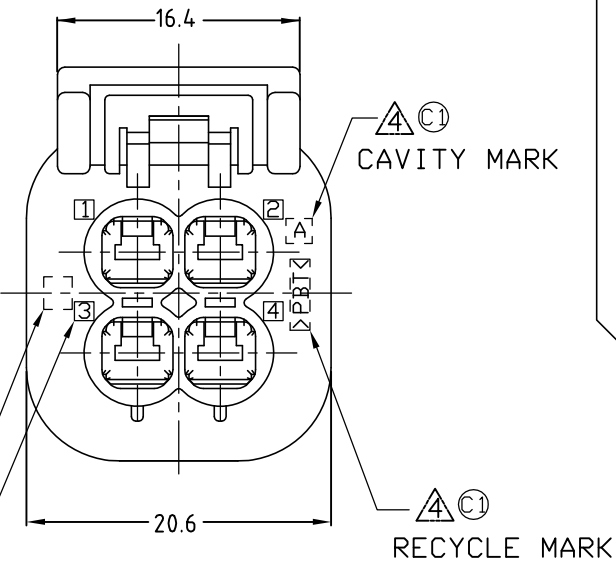
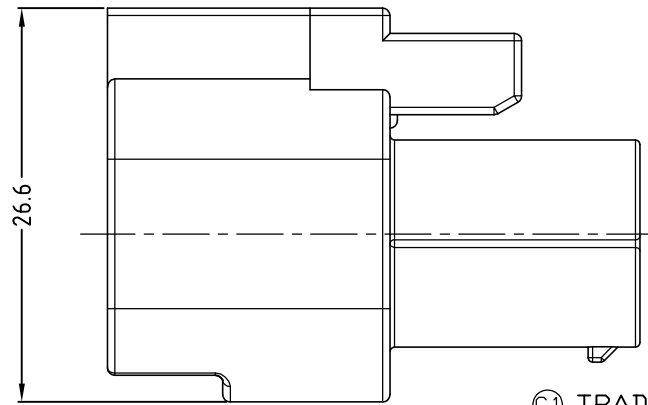
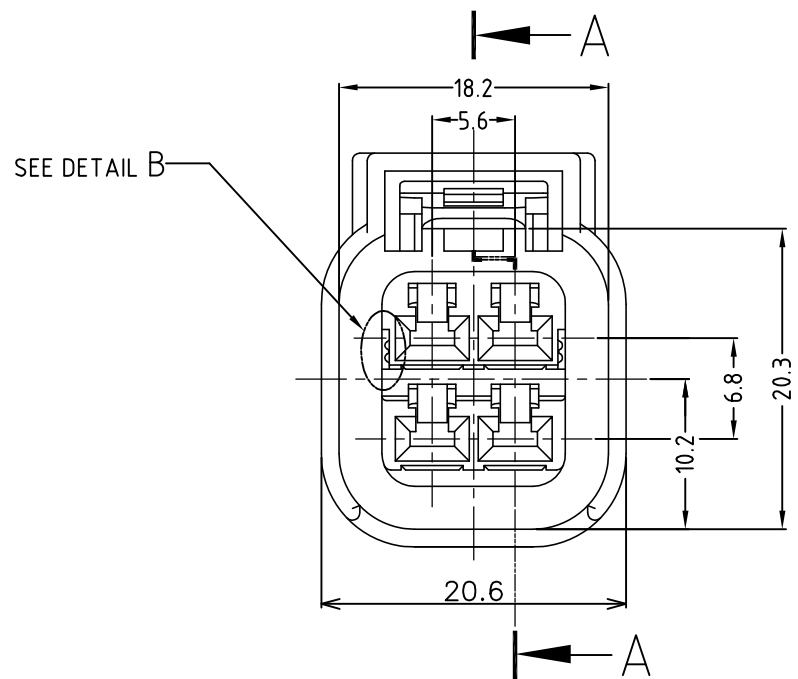


THIS DRAWING IS UNPUBLISHED. RELEASED FOR PUBLICATION
 © COPYRIGHT BY TYCO ELECTRONICS CORPORATION. ALL RIGHTS RESERVED.

LOC	DIST	REVISIONS					
		P	LTR	DESCRIPTION	DATE	DWN	APVD
DS	-		A2	REVISED (ECR-06-022051)	14/SEP/06	YH	JK
			B	REVISED (ECR-07-007451)	25/JUL/07	YS	JK
			C	REVISED (ECR-09-013524)	16/JUN/09	KT	HG
			C1	REVISED (ECR-10-017371)	14/SEP/10	SJ	HG



NOTES:

- 1. CONDITION OF DELIVERY: DBL PLATE IN OPEN POSITION
- 2. APPLIED RECEPTACLE CONTACT P/N:

CONTACT	MCP-E TERMINAL	
Part No.	936606-1	936607-1
WIRE SIZE(mm ²)	1.0 ~ 2.5	0.5 ~ 1.0

- 3. APPLIED MALE CONNECTOR P/N: 936293-2
- 4. ALL CHARACTERS SHALL BE CLEAR AND LEGIBLE
 - TRADE MARK: 1.0 CHARACTERS 0.2 RAISED
 - CAVITY MARK & CURCUIT NO: 1.0 CHARACTERS 0.2 RAISED
 - RECYCLE MARK: 1.0 CHARACTEERS 0.2 RAISED

ASSY P/N	936254-3	936254-2

NO.	COLOR	MATERIAL	DESCRIPTION	QTY
3	RED ORANGE	SILICON	INNER SEAL	1 1
2	WHITE	PBT-GF10	DBL	1 1
1	GRAY	PBT	4P PLUG HSG	1
1	BLACK	PBT	4P PLUG HSG	1

THIS DRAWING IS A CONTROLLED DOCUMENT FOR TYCO ELECTRONICS CORPORATION
 IT IS SUBJECT TO CHANGE AND THE CONTROLLING ENGINEERING ORGANIZATION
 SHOULD BE CONTACTED FOR THE LATEST REVISION.

DIMENSIONS: mm	TOLERANCES UNLESS OTHERWISE SPECIFIED: 0 <XX<10 ± 0.2 10<XX<30 ± 0.25 30<XX ± 0.3 ANGLES ± 3°	DWN SJ CHOI CHK JW JUNG APVD HG CHO PRODUCT SPEC - APPLICATION SPEC - WEIGHT -
3rd ANGLE PROJECTION	MATERIAL SEE TABLE	FINISH -

Tyco Electronics Tyco Electronics
kyungsan, korea

NAME
MCP-E SEALED 4P PLUG ASSEMBLY

SIZE: A3 CAGE CODE: 00779 DRAWING NO: C=936254 RESTRICTED TO: -

CUSTOMER DRAWING SCALE: 2:1 SHEET 1 OF 1 REV: C1